



Submittal Form: 1PAMSHH09-25

9,000 BTU Hyper Heat System

HYPER-HEAT MINI-SPLIT SUBMITTAL SHEET

Table with 2 columns: Field (Project Name, Location, Engineer, Submitted To, Submitted By, Reference) and Value.

Table with 2 columns: Field (Approval, Date, Construction, Unit #, Drawing #) and Value.

MODEL # table with INDOOR and OUTDOOR model numbers.



ELECTRICAL

Table with 4 columns: Field (Power Supply, Minimum Circuit Ampacity, Maximum Fuse Size), Unit (Ph-V-Hz, A), and Value (208-230V~ 60Hz, 1Ph, 9, 15).

COOLING

Table with 4 columns: Field (Capacity:Rated, Input, Rated Current, EER, SEER), Unit (Btu/h, W, A, Btu/w), and Value (9000, 620, 2.7, 14.5, 25.0).

HEATING

Table with 4 columns: Field (Capacity:Rated, Input, Rated Current, COP, HSPF4 / HSPF5, Low Temperature Heating Capacity), Unit (Btu/h, W, A, W/W, Btu/h), and Value (10900, 835, 3.6, 3.83, 11.20 / 9.00, 11500).

COMPRESSOR

Table with 4 columns: Field (Model, Type, Brand, Capacity, Input, Rated Current, Refrigerant Oil/Charge), Unit (Btu/h, ml), and Value (ATM115D43UF22, ROTARY, GMCC, 11594, 858, 5.25, ESTER OIL VG74 / 500).

SYSTEM DATA

Table with 4 columns: Field (Design Pressure, Refrigerant, Refrigerant Precharge, Additional Charge Per ft., Liquid, Gas, Max. Refrigerant Pipe Length), Unit (PSIG, oz, ft, oz, in, in, ft), and Value (550/340PSIG, R410A/52.9, 25, 0.161, 1/4", 3/8", 82).

INDOOR UNIT DATA

Table with 4 columns: Field (Model, Brand, Input, RLA, Speed, Indoor Air Flow, Indoor Noise Level), Unit (inch, W, A, r/min, CFM, dB(A)), and Value (ZKFP-20-8-6-7, Welling, 50, 0.06, 1170/900/700, 418/324/247, 42/33/24.5).

INDOOR UNIT DIMENSIONS

Table with 4 columns: Field (Dimension, Packaging, Net/Gross Weight), Unit (inch, lbs.), and Value (32.87x7.80x11.02, 35.83x10.63x13.98, 19.84/25.35).

OUTDOOR UNIT DATA

Table with 4 columns: Field (Model, Brand, Input, RLA, Speed, Outdoor Air Flow, Outdoor Noise Level), Unit (inch, W, A, r/min, CFM, dB(A)), and Value (ZKFN-40-8-1L, Welling, 63, 0.38, 810/700/450, 1120, 55.5).

OUTDOOR UNIT DIMENSIONS

Table with 4 columns: Field (Dimension, Packaging, Net/Gross Weight), Unit (inch, lbs.), and Value (31.50x13.11x21.81, 36.22x15.35x24.21, 88.2/93.7).

OPERATION TEMPERATURE

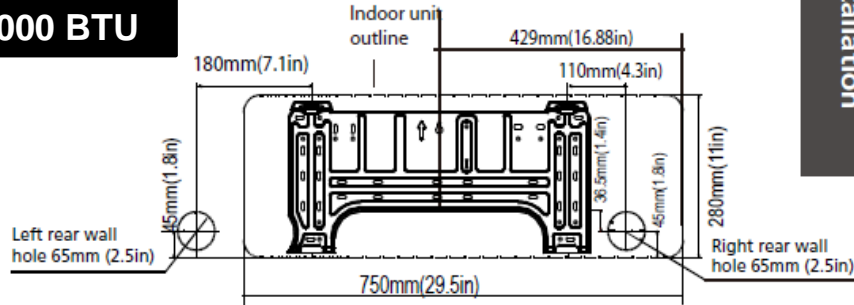
Table with 4 columns: Field (Indoor, Outdoor), Unit (Cooling/Heating), and Value (Deg. F, 62~90/32~86, -22~-122/-22~86).



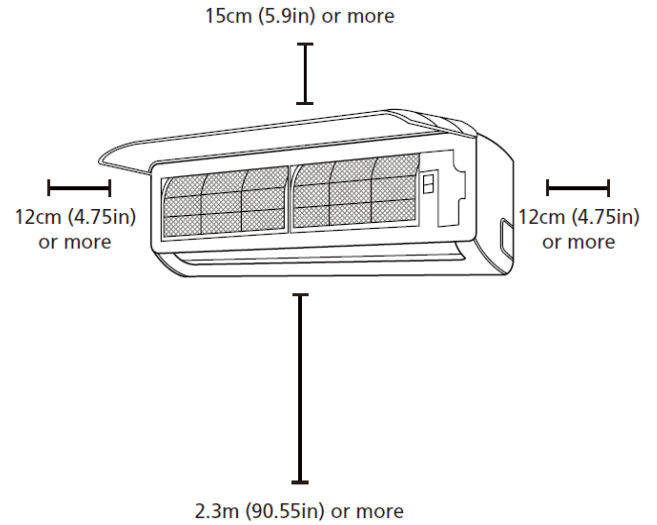
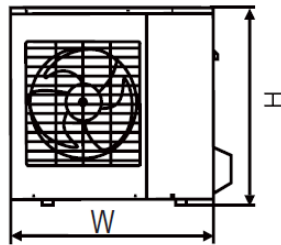
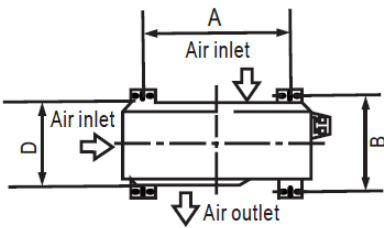
**SUBMITTAL DATA:** 1PAMSHH09-25  
**Indoor Model Number:** 1PAMSHH09-SZW-25  
**Outdoor Model Number:** 1PAMSHH09-SZO-25

9,000 BTU Hyper Heat System

**9,000 BTU**



**Indoor Unit Installation**



Outdoor Unit Dimensions(WxHxD)	Mounting Dimensions	
	A	B
inches	in.	in.
26.8x17x11.2	18.1	11.49
27.5x21.6x10.62	17.7	10.24
30.7x21.25x9.85	21.6	10.85
33.25x27.5x12.6	22	13.2
31.9x22x12.2	21.6	12.8
27.5x21.6x10.82	17.7	10.24
30.3x21.85x11.81	19.2	11.73
31.5x21.8x13.1	20.24	13.39
33.25x27.63x14.29	21.26	13.8
35.4x33.85x12.4	23.2	13.1
37.2x31.9x15.55	25.2	15.95
37.21x31.9x16.53	26.5	15.87
37.21x31.9x16.14	26.5	15.87

