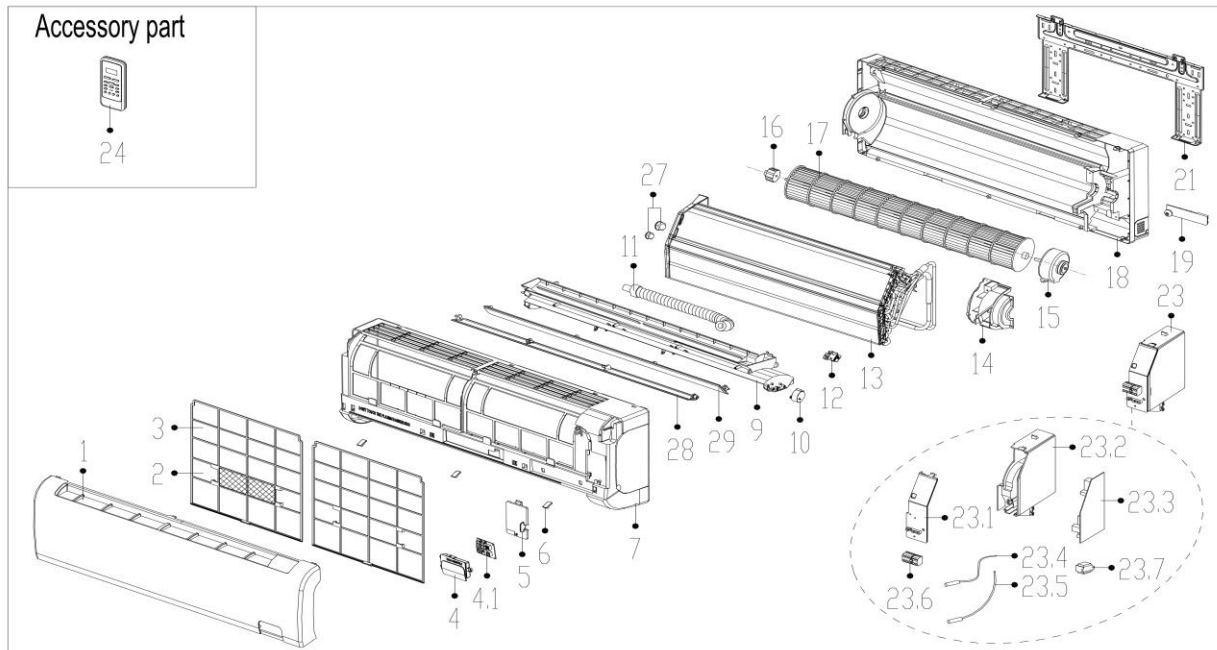


Perfect AireExploded View

Perfect Aire Model : 1PAMSH18-MZW-16

Model Name : 18,000 BTU Multi-Zone Mini-Split High Wall Indoor Unit



EX_ID	Spare Parts Code	Part Name(EN)	Qty.
1	12122000001094	Panel assembly	1
2	12100207000131	air fresh filter	1
3	12100204000665	Filter	2
4	17222000002682	display box assembly	1
4.1	17122000006935	Display board assembly	1
5	12122000006697	Cover of indoor electronic control box	1
6	12122000006307	screw cover	3
7	12122000001880	frame assembly	1
9	12122000005368	Air outlet assembly	1
10	11002010000015	stepper motor	1
11	12100501000021	Drain Hose	1
12	12100303000008	Fixed clamp of temperature sensor	1
13	15822000A00499	Evaporator assembly	1

14	12122000005489	Fan motor cover	1
15	11002012000732	Single phase asynchronous motor	1
16	12622000000006	Bearing base	1
17	12100102000078	Cross flow fan	1
18	12122000004142	Chassis Assembly	1
19	12222000000054	pipe clamp board	1
21	12222000000049	Installation plate	1
23	17222300A00122	Electronic control box assembly	1
23.1	12122000005032	Cover of electronic control box	1
23.2	12122000004579	Electronic control box	1
23.3	17122300A00290	Main control board assembly	1
23.4	11201007000088	Room Temperature Sensor	1
23.5	11201007000040	Pipe Temperature Sensor	1
23.6	17400401000069	Terminal	1
24	17317000A03375	Remote controller	1
27	15500406000012	Copper nut	1
27	15500406000016	Copper nut	1
28	12122000006337	Horizontal louver	1
29	12122000008053	Horizontal louver	1
45	12117000000091	Bracket of remote Controller	1