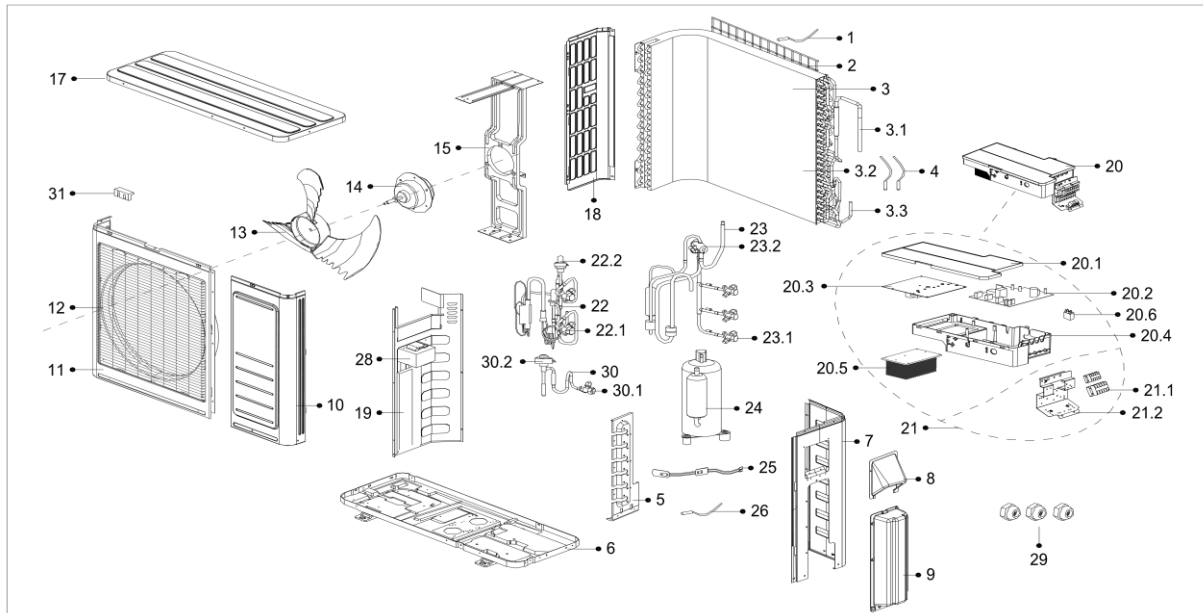


# Perfect Aire Exploded View

Perfect Aire Model : 1PAMSH27-MZO3-16  
 Model Name : 27,000 BTU Multi-Zone Mini-Split Outdoor Unit



EX_ID	Spare Parts Code	Part Name(EN)	Qty.
1	11201007000143	Room Temperature Sensor	1
2	12222200001554	Rear net	1
3	15822000A01724	Condenser assembly	1
3.1	15122000000802	Input pipe assembly	1
3.2	15822000A00953	Condenser	1
3.3	15122000000414	Output pipe assembly	1
4	11201007000044	Pipe Temperature Sensor	1
4	11201007000136	Pipe Temperature Sensor	1
5	12222300000209	Valve plate	1
6	12222300000215	Chassis Assembly	1
7	12222300000071	Rear right clapboard assembly	1
8	12222300000169	Big handle	1
9	12122300000015	Water collector	1
10	12222200001662	Front right clapboard assembly	1
11	12222200001825	Panel assembly	1

12	12222000001858	Air outlet grille	1
13	12100105000060	Axial flow fan	1
14	11002012005429	Single phase asynchronous motor	1
15	12222200001791	Supporter subassembly of fan motor	1
17	12222300000199	Top cover assembly	1
18	12222200001643	Left side plate	1
19	12222300000172	Partition board assembly	1
20	17222300A00021	Electronic control box assembly	1
20.1	12122300000044	Cover of electronic control box	1
20.2	17122300A00115	Main control board assembly	1
20.3	17122300000734	ipm	1
20.4	12122300000041	Support of electronic control box	1
20.5	11203803000085	Radiator	1
20.6	17400101000043	Capacitor of fan motor	1
21	17222300000161	Terminal board assembly	1
21.1	17400401000135	Wire joint	2
21.2	12222300000226	Installation plate of electric parts	1
22	15422300000025	Liquid valve Assembly	1
22.1	15500208000031	Liquid valve	2
22.2	15500213000046	Electronic expansion valve subassembly	2
23	15422300000099	4-way valve assembly	1
23.1	15500204000008	Gas valve	3
23.2	15500216000003	4-way Valve	1
24	11103020000201	compressor	1
25	17402001000014	Crankcase electric heater	1
26	11201007000246	Discharge Temperature Sensor	1
28	17400306000058	Reactor	1
29	15500406000016	Copper nut	3
30	15422300000028	Liquid valve Assembly	1
30.1	15500208000031	Liquid valve	1
30.2	15500213000046	Electronic expansion valve subassembly	1
31	12122000006844	Clamp of front net	8