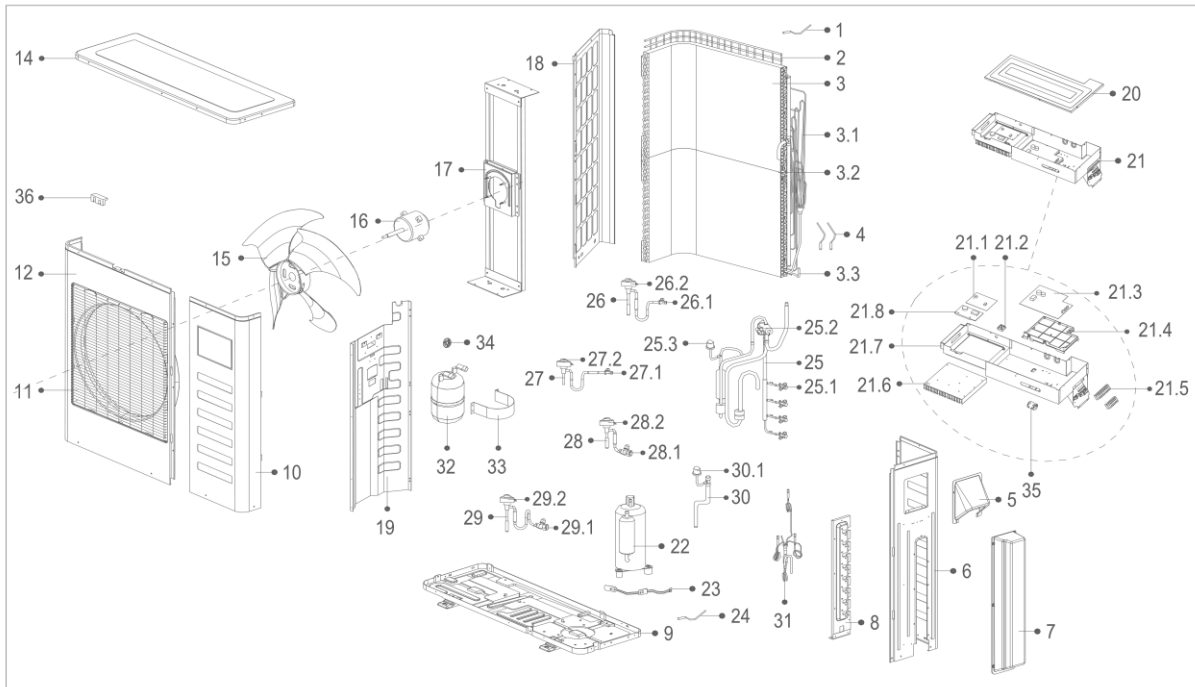


Perfect Aire Exploded View

Perfect Aire Model : 1PAMSH36-MZO4-16

Model Name : 36,000 BTU Multi-Zone Mini-Split Outdoor Unit



EX_ID	Spare Parts Code	Part Name(EN)	Qty.
1	1222200001122	Rear net	1
2	11201007000143	Room Temperature Sensor	1
3	15822300A00009	Condenser assembly	1
3.1	15122300000483	Input pipe assembly	1
3.2	15822300A00030	Condenser	1
3.3	15122300000482	Output pipe assembly	1
4	11201007000006	Pipe Temperature Sensor	1
4	11201007000007	Pipe temperature sensor	1
5	12222300000169	Big handle	1
6	12222300000073	Rear right clapboard assembly	1
7	12122300000011	Water collector	1
8	12222300000208	Valve plate	1
9	12222300A00017	Chassis assembly	1
10	12222200001993	Front right clapboard assembly	1

11	12222200001798	Front net ass'y	1
12	12222200001482	Panel assembly	1
14	12222300000198	Top cover assembly	1
15	12100105000027	Axial fan ass'y	1
16	11002015000342	DC motor	1
17	12223000003685	Supporter assembly of fan motor	1
18	12222200001251	Left side plate	1
19	12222300000013	partition board	1
20	12222300000054	Cover of electronic control box	1
21	17222300000196	Electronic control box assembly	1
21.1	17122300000733	ipm	1
21.2	11201418000049	Bridge rectifier	1
21.3	17122300000393	Main control board assembly	1
21.4	12122300000031	Support of electronic control plate	1
21.5	17400401000084	Wire joint	1
21.5	17400401000135	Wire joint	1
21.6	11203803000220	Radiator	1
21.7	12222300000177	Installation box of electric parts	1
21.8	17122000008244	Active PFC Module Subassembly	1
22	11103020000126	compressor	1
23	17402001000017	Crankshaft Electrical Heating Strip	1
24	11201007000246	Discharge Temperature Sensor	1
25	15422300000108	4-way valve assembly	1
25.1	15500204000008	Gas valve	4
25.2	15500216000012	4-way Valve	1
25.3	17400516000018	Pressure switch	1
26	15422300000082	Liquid valve Assembly	1
26.1	15500208000018	Liquid valve	1
26.2			
27	15422300000070	Liquid valve Assembly	1
27.1	15500208000018	Liquid valve	1
27.2			
28	15422300000054	Liquid valve Assembly	1
28.1	15500208000018	Liquid valve	1

28.2			
29	15422300000057	Liquid valve Assembly	1
29.1	15500208000018	Liquid valve	1
29.2	15500213000046	Electronic expansion valve subassembly	1
30	15122300000432	Suction pipe assembly	1
30.1	17400516000008	Pressure switch	1
31	15122300000461	Capillary Assembly	1
32	15500508000010	Accumulator cylinder	1
33	12222200001839	Fix clamp, seperator	1
34	11201101000014	PFC Inductor	1
35	11201103000001	Magnet Ring	2
36	12122000006844	Clamp of front net	10
40	17402001000021	Electrical Heating Strip for Chassis	1