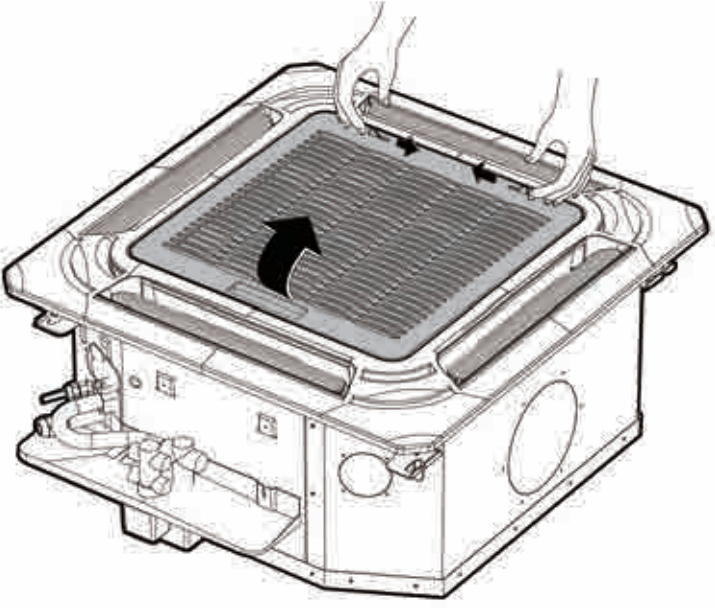
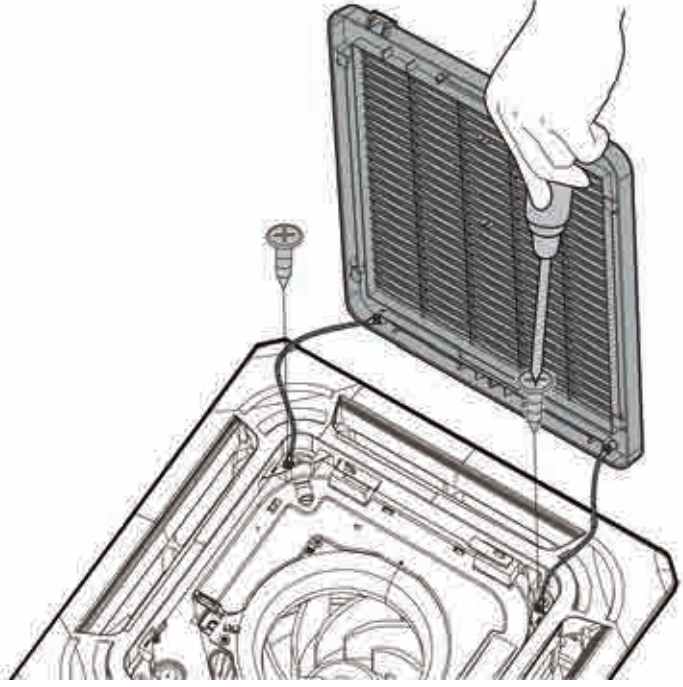
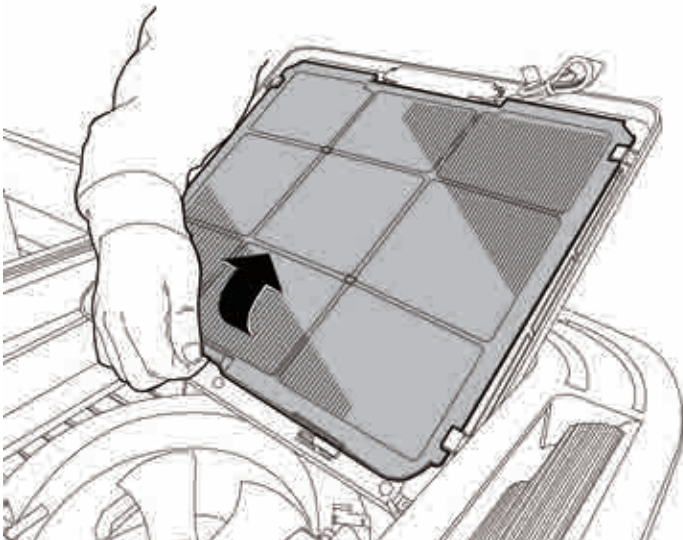
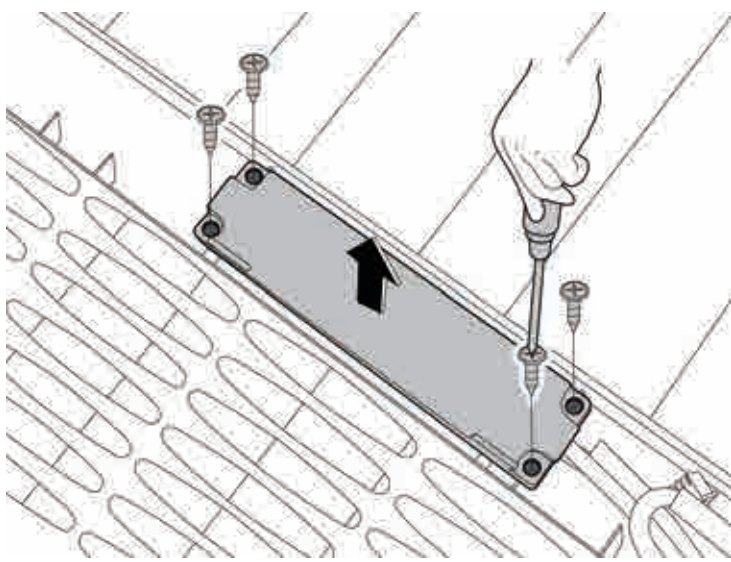


Disassembly of Compact Round Flow Cassette

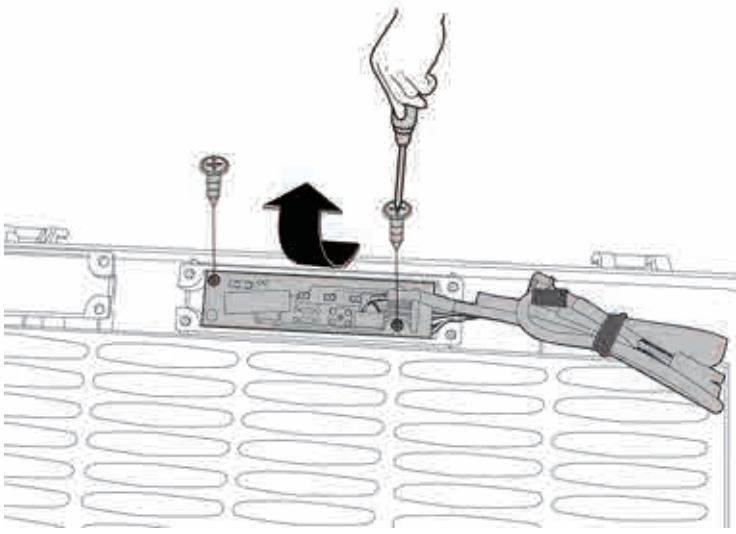
1. Front Panel and Display Board

Procedure	Illustration
<p>1) Release 2 hooks and open the panel. (see CJ_MCA_001)</p>	 <p>CJ_MCA_001</p>
<p>2) Remove two screws of wire line. (see CJ_MCA_002)</p>	 <p>CJ_MCA_002</p>

Note: This section is for reference only. Actual unit appearance may vary.

Procedure	Illustration
<p>3) Release the hook then pull up the filter(see CJ_MCA_003)</p>	 <p style="text-align: center;">CJ_MCA_003</p>
<p>4) Remove 4 screws of cover and remove the display board(see CJ_MCA_004)</p>	 <p style="text-align: center;">CJ_MCA_004</p>

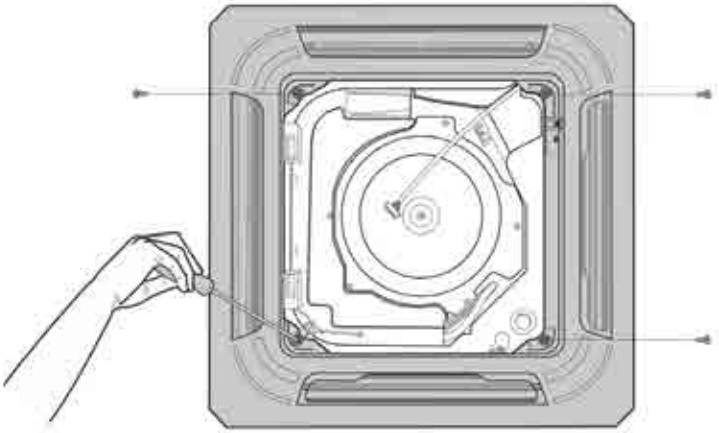
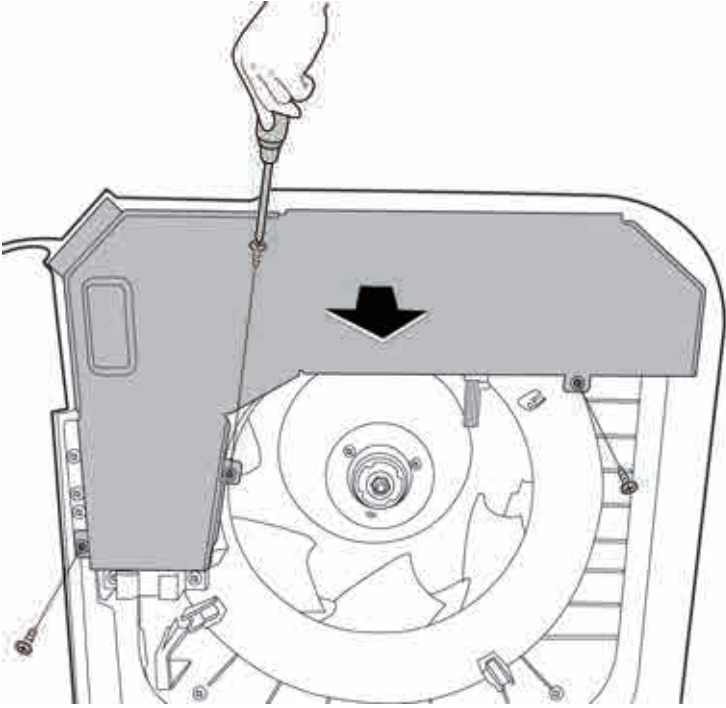
Note: This section is for reference only. Actual unit appearance may vary.

Procedure	Illustration
<p>5) Remove 2 screws of display board and remove PCB.(see CJ_MCA_005)</p>	 <p>CJ_MCA_005</p>

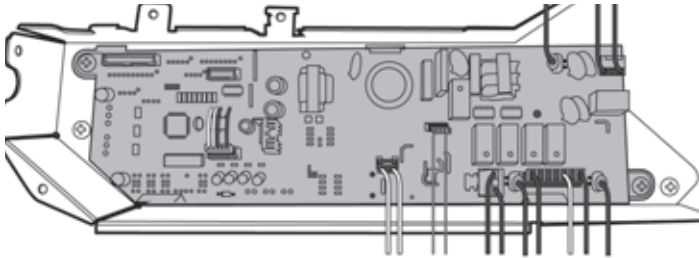
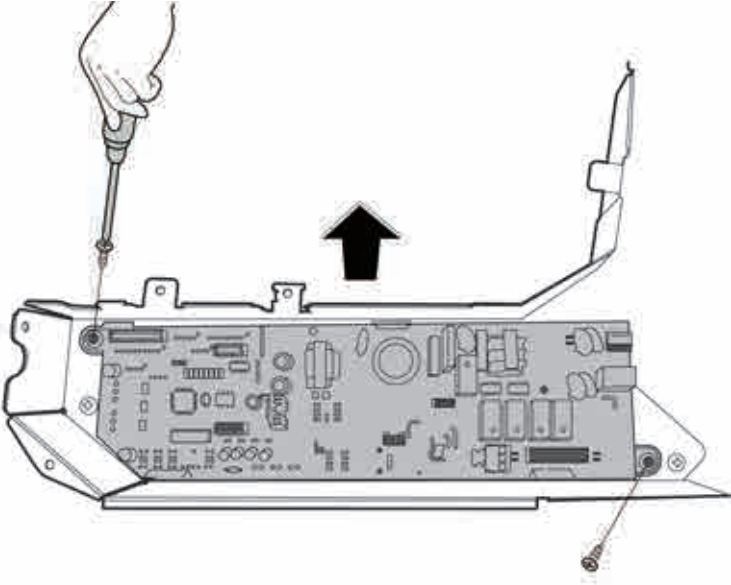
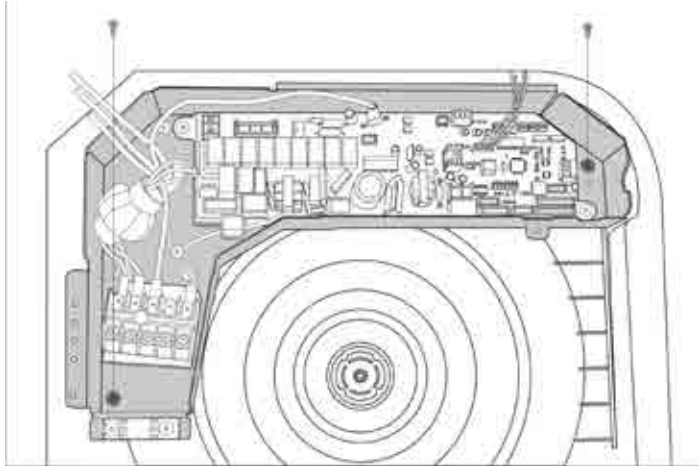
Note: This section is for reference only. Actual unit appearance may vary.

2. Electrical parts(Antistatic gloves must be worn.)

Note: Remove the front panel (refer to 1. Front Panel and display) before disassembling electrical parts.

Procedure	Illustration
<p>1) Remove 4 screws of the panel and pull up the panel. (see CJ_MCA_006)</p>	 <p>CJ_MCA_006</p>
<p>2) Remove 3 screws of electrical cover. (see CJ_MCA_007)</p>	 <p>CJ_MCA_007</p>

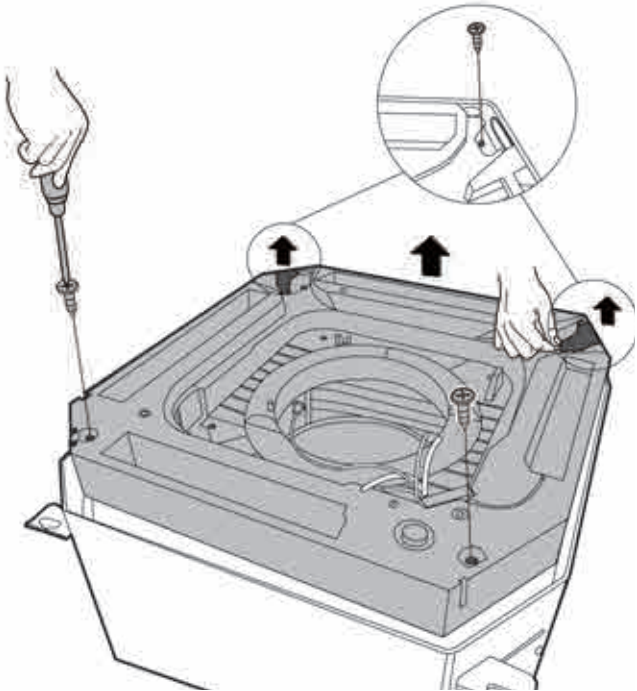
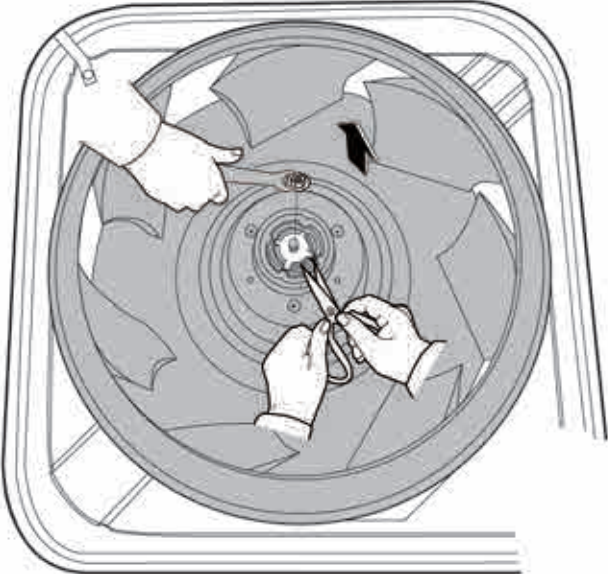
Note: This section is for reference only. Actual unit appearance may vary.

Procedure	Illustration
<p>3) Disconnect the connectors of PCB. (see CJ_MCA_008)</p>	 <p style="text-align: center;">CJ_MCA_008</p>
<p>4) Remove 2 screws of main control board and remove PCB.(see CJ_MCA_009)</p>	 <p style="text-align: center;">CJ_MCA_009</p>
<p>5) Remove 2 screws of electronic control box and remove electronic control box. (see CJ_MCA_010)</p>	 <p style="text-align: center;">CJ_MCA_010</p>

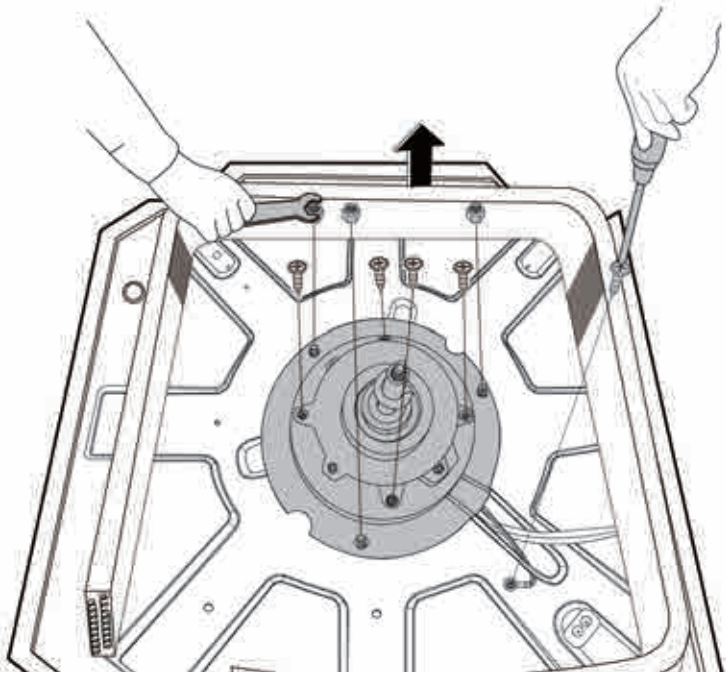
Note: This section is for reference only. Actual unit appearance may vary.

3. Fan motor and fan

Note: Remove the front panel and electrical parts (refer to 1 & 2) before disassembling fan motor.

Procedure	Illustration
<p>1) Remove 4 screws of water collector then remove it.(see CJ_MCA_011)</p>	 <p>CJ_MCA_011</p>
<p>2) Remove the nut of the fan and then pull up the fan.(see CJ_MCA_012)</p>	 <p>CJ_MCA_012</p>

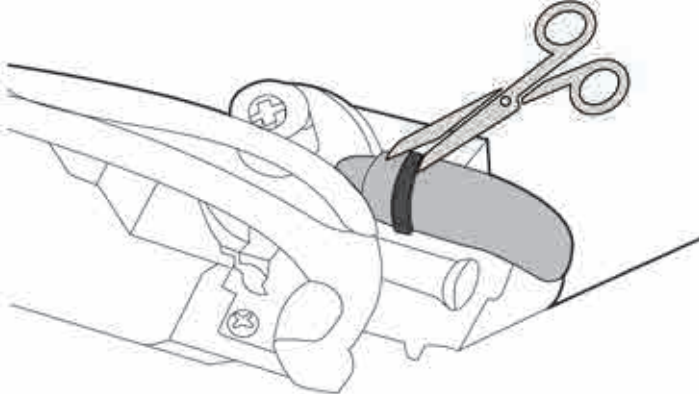
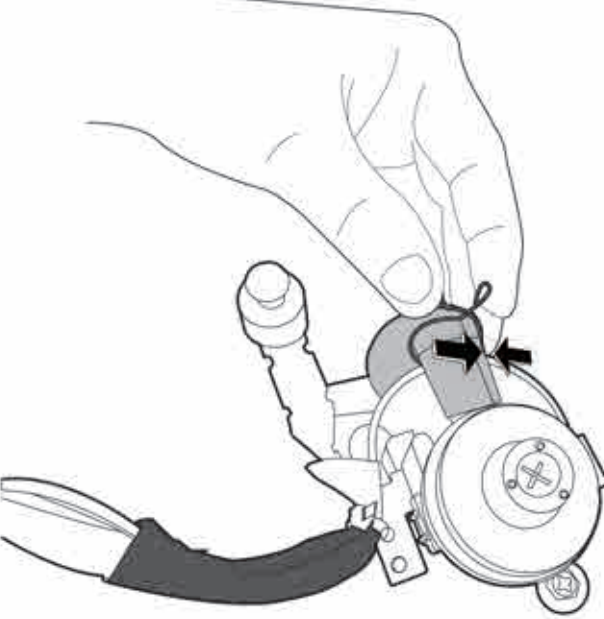
Note: This section is for reference only. Actual unit appearance may vary.

Procedure	Illustration
<p>3) Remove the nuts and remove the fan motor(see CJ_MCA_013)</p>	 <p style="text-align: center;">CJ_MCA_013</p>

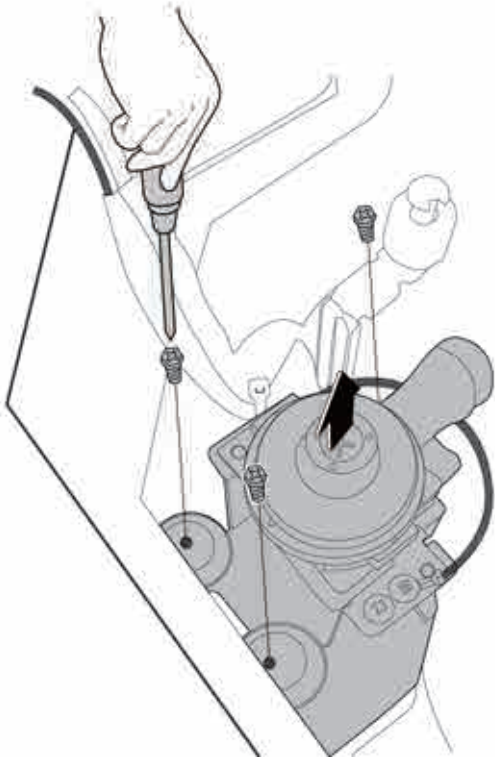
Note: This section is for reference only. Actual unit appearance may vary.

4. Water Pump

Note: Remove the front panel, electrical parts and water collector (refer to 1,2 &3) before disassembling water pump.

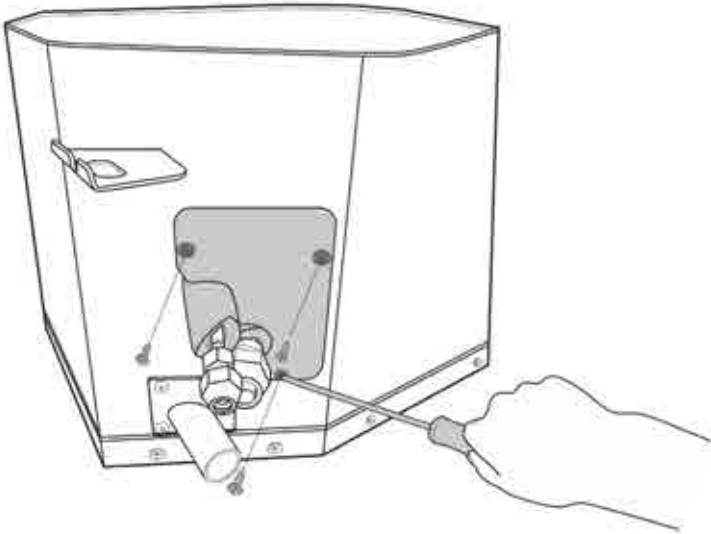
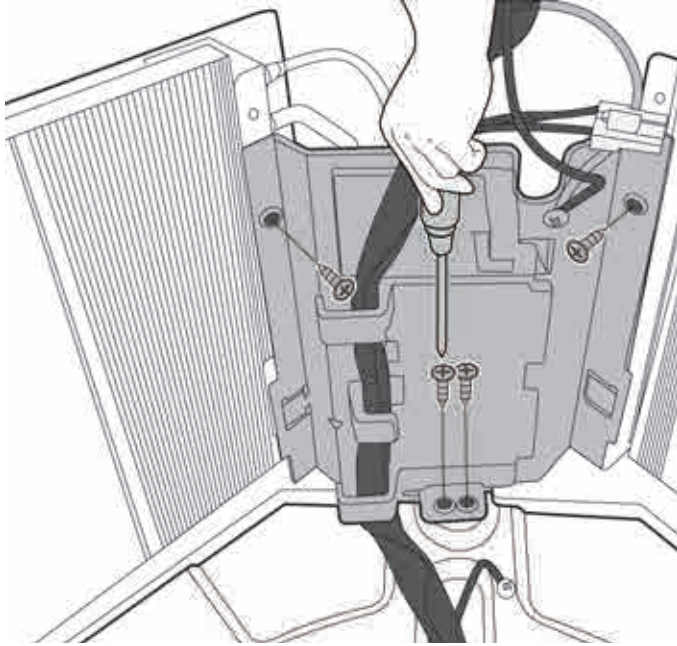
Procedure	Illustration
1) Take off the fasten belt of the water pump. (see CJ_MCA_016)	 <p data-bbox="933 929 1101 963">CJ_MCA_016</p>
2) Pinch the metal wire in the direction shown in the figure to release it. (see CJ_MCA_017)	 <p data-bbox="933 1825 1101 1859">CJ_MCA_017</p>

Note: This section is for reference only. Actual unit appearance may vary.

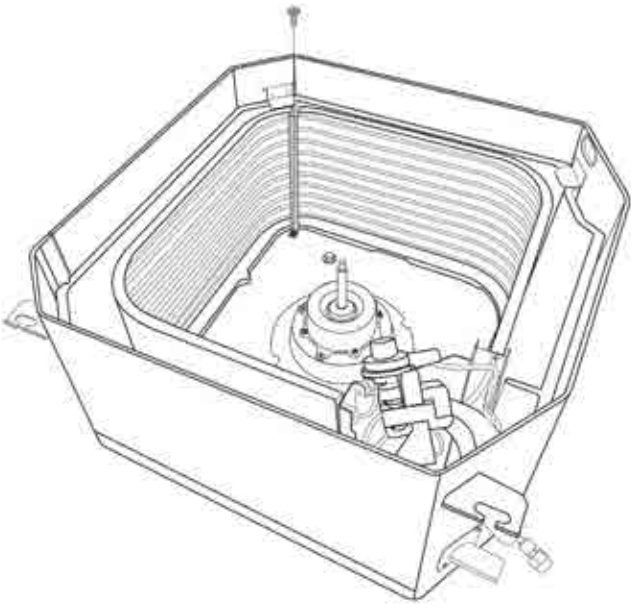
Procedure	Illustration
<p>3) Remove 3 screws and then remove the water pump. (see CJ_MCA_018)</p>	 <p style="text-align: center;">CJ_MCA_018</p>

5. Evaporator

Note: Remove the front panel, electrical parts and fan(refer to 1,2 &3) before disassembling evaporator.

Procedure	Illustration
<p>1) Remove 3 screws of pipe clamp board assembly then remove it.(see CJ_MCA_019)</p>	 <p>CJ_MCA_019</p>
<p>2) Remove 4 screws of evaporator fixing board then remove it.(see CJ_MCA_020)</p>	 <p>CJ_MCA_020</p>

Note: This section is for reference only. Actual unit appearance may vary.

Procedure	Illustration
<p>3) Remove 1 screw of evaporator fixing hook and remove it. (see CJ_MCA_021)</p>	 <p data-bbox="925 1052 1101 1097">CJ_MCA_021</p>

Note: This section is for reference only. Actual unit appearance may vary.